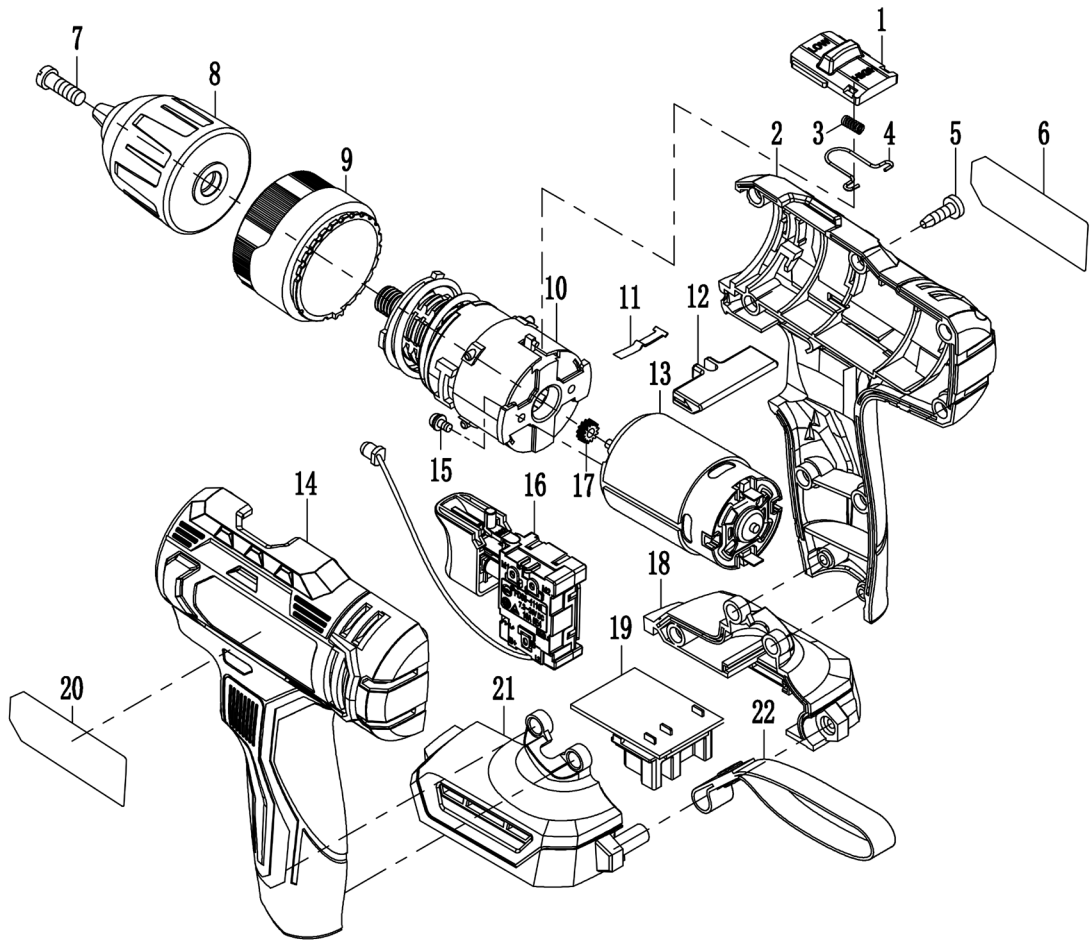


EXPLODED VIEW & SPARE PARTS LIST



CORDLESS DRILL RDP-SPCD20 Set

NO.	Description	Quantity	NO.
1	High and low speed push button	1	30
2	right house	1	31
3	push button spring	1	32
4	Speed control push button wire	1	33
5	screw M3X12	11	34
6	nameplate	1	35
7	screw (left tooth) M5X22	1	36
8	Plastic drill chuck	1	37
9	Torque Cup	1	38
10	Gearbox	1	39
11	Torsion Cup Shrapnel	1	40
12	Left and right dial buttons	1	41
13	motor	1	42
14	left house	1	43
15	screw M3X10	2	
16	Switch assembly (with light)	1	
17	motor gear	1	
18	Right house foot plate	1	
19	battery pack pins	1	
20	trademark	1	
21	Left house foot plate	1	
22	lanyard	1	